

# MANUFACTURERS OF "THE WORLD'S FINEST COMMUNICATION TOWERS!"

## HOW TO SELECT THE TOWER BEST SUITED FOR YOU:

Select the Tower Size Required for Your Beam:

Find the wind load of the antenna in sq. ft. of projected area from your supplier, or calculate it from the following formula:

$$\text{Wind Area (sq. ft.)} = \frac{(\text{Area of all Elements} - \text{Sq. In.}) \times 2/3 \times .707}{144}$$

For stacked beams, an approximation of effective wind area may be calculated as follows:

$$\text{Effective Area} = \text{Area of Lower Beam} + 1.5 \text{ Area of Upper Beam}$$

Each E-Z Way tower is load rated for 50 MPH winds. Use the chart below to select the tower for your antenna load. All towers are designed for 100 mph winds, retracted.

### TOWER WIND LOAD CHART

MODEL NUMBER	Normal Ant. Hgt.		Max. Ant. Load-Sq. Ft. Projected Area		
	Extended Feet	Retracted Feet	Without Guys	With Guys	
			50 MPH Winds	Area Sq. Ft.	Velocity MPH
HD-40	40	23	6.0	6.0	100
RBS-40	41	25	12.0	12.0	120
RBX-40	42	27	33.5	40.0	125
RBS-50	51	30	12.0	12.0	86
RBX-50	52	32	28.8	40.0	110
RBX-60-3	60	26	11.0	12.0	110
CRX-60-3	60	26	14.0	14.0	110
RBX-70-3	72	31	12.0	12.0	100
RBZ-75-3	75	35	27.7	30.0	110
RBZ-85-3	85	36	25.0	25.0	100
AC-15-4	115	36	16.0	16.0	100

#### 2. Select Your Mounting Kit:

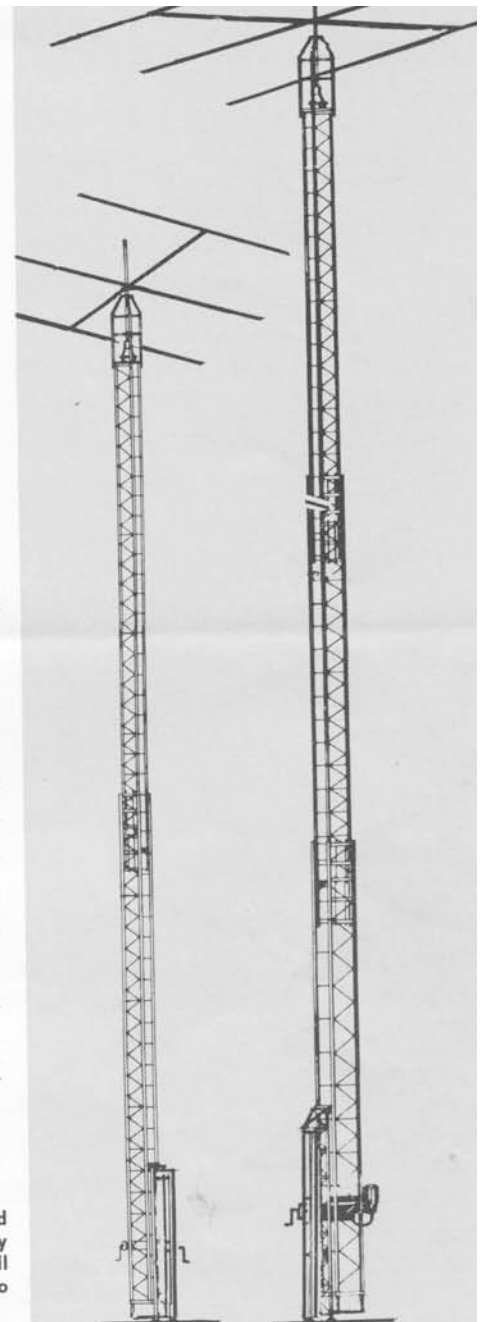
Each E-Z Way mounting kit is designed to fit a specific need. The Building Attached Kit (BAK) is recommended for economy when the tower can be mounted adjacent to a building and the tilt-over feature is of secondary importance. The Wonder Ground Post (WGP), the most versatile and easiest to install, is the most popular of all models except those over 60 ft. The concrete mount post (CMP) is a must for the larger towers, but may also be used for smaller models in abnormal soil conditions.

#### 3. Selecting the Site:

After the tower and mounting kit have been chosen, the site for erecting the tower should be considered. Conceivably, the closer the shack, the better. But due to the fact that the tower tilts, there must be a clearance path of at least two-thirds of the tower height and also enough space to allow for the antenna. Remember, stay clear of power lines and trees . . . also, signal loss can result from close proximity to metal structures.

### CHECK THESE FEATURES!

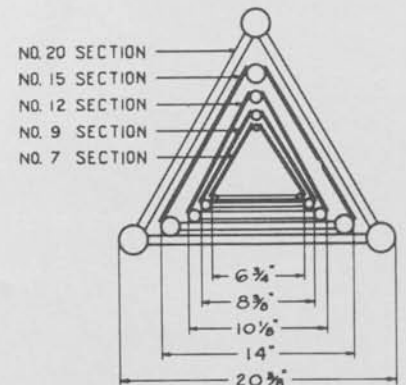
- **ALUMINUM PAINTED OR GALVANIZED\*\*** after fabrication. E-Z Way Towers are phosphate pre-treated and completely immersed in a bath of corrosion resistant aluminum paint or molten zinc - outside & inside surfaces are protected against corrosion.
- **AERO-DYNAMIC DESIGN!** Triangular tower, built of cylindrical steel rod and tubing (over 98% of exposed area is round) combine to give greater strength with least wind resistance.
- **NO GUY WIRES** required!
- **Hardware** others call "accessories" are standard with us!
- **WARRANTY — Materials & Workmanship!** (Loading in excess of these specifications is not recommended, and negates ap-

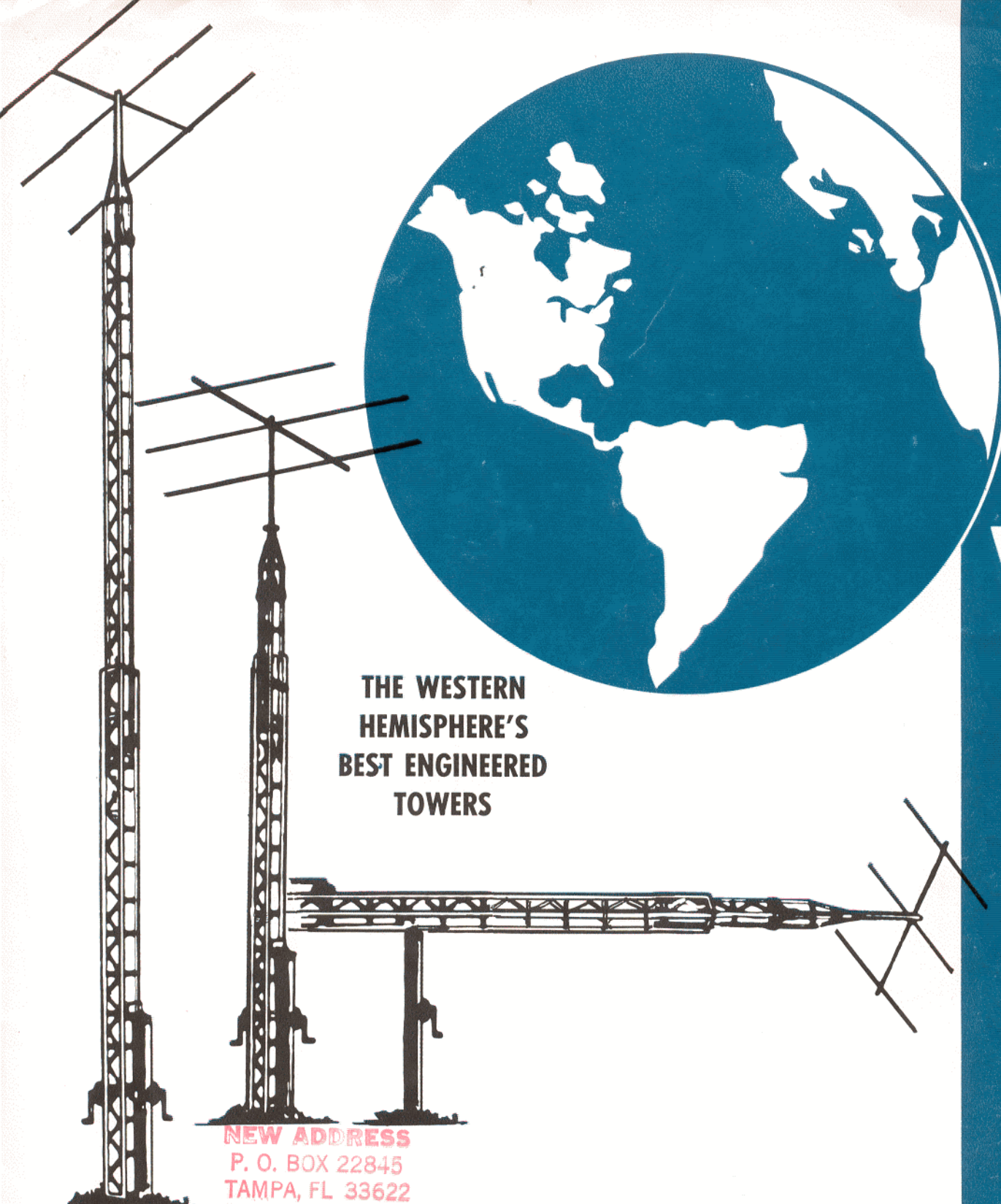


2 Section  
Type  
RBS-40

3 Section  
Type  
RBX-60-3

Schematic Diagram of Nested  
Tower Sections





# TOWERS

THE WESTERN  
HEMISPHERE'S  
BEST ENGINEERED  
TOWERS

NEW ADDRESS  
P. O. BOX 22845  
TAMPA, FL 33622  
NEW PHONE '677-7144

**E-Z WAY**  
P. O. Box 17196 *Products, inc.*  
TAMPA, FLORIDA 33612

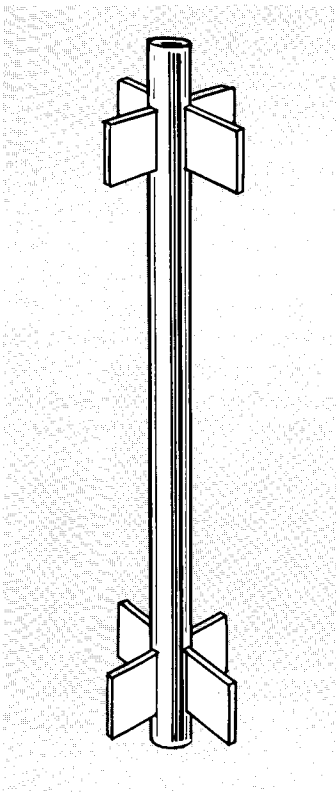
TOWER  
SYSTEM SUPPLIERS

CUSTOM  
COMMUNICATION STRUCTURES



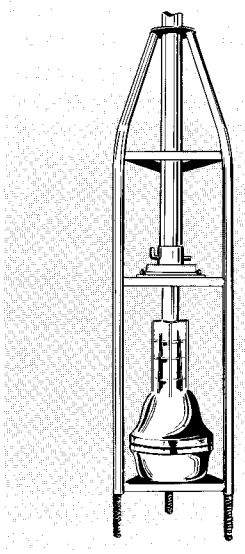
## THE WONDER GROUND POST

The "Wonder" Ground Post provides fast, simple installation with emphasis on easy access to beam. Unique design eliminates the need for concrete, yet requires a hole no larger than 1 ft. in dia. Radial fins placed near ground level and at lower end of post eliminate any movement when earth is tamped firmly around post. The E-Z Way "Wonder" Ground Post remains plumb with tower in any position. In most cases, guys are not required when Ground Post is used.



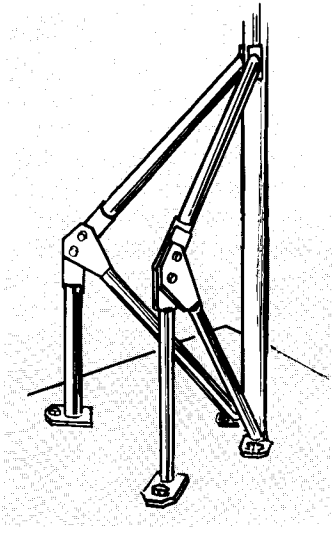
## ROTOR HEAD

All towers will accept the bolt on rotor head accessory package. Which includes mast, thrust bearing, bushing and rotor mounting hardware. All heads designed for CDR series rotors. Other heads available on special order at slight additional charge.



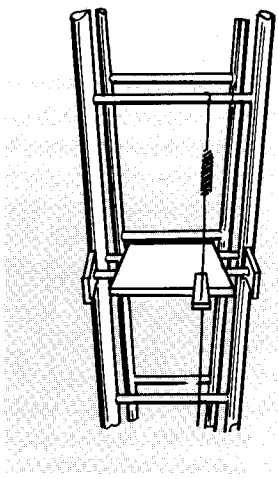
## CONCRETE MOUNT POST

Use for larger Towers (RBX-70, RBZ-75, AC-15) and for installations where a concrete mounting is preferred. Same tilt-over feature as Wonder Ground Post.



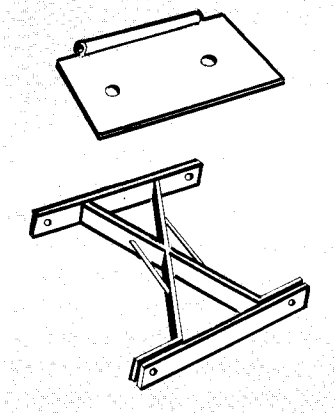
## SAFETY REST

Positive locking mechanism provides safe, secure positioning of elevated tower section. Easily controlled from ground to lock tower at any height desired. 1 ft. increments.



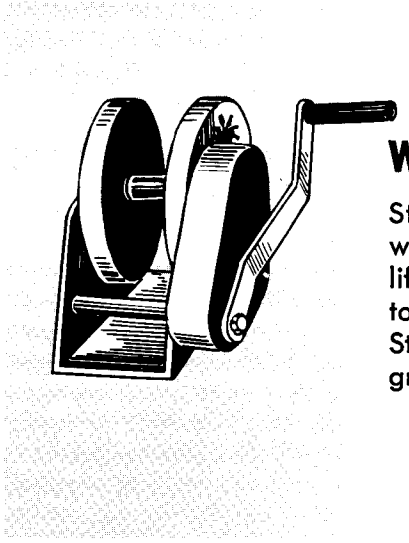
## BUILDING ATTACHMENT KIT

Consists of base hinge and wall bracket. A low cost mounting that is used to mount tower alongside existing structures.



## WINCH

Sturdy, gear-driven type winch permits safe, easy, lifetime operation. Treated to resist rust and corrosion. Standard on all towers and ground posts.



# MANUFACTURERS OF "THE WORLD'S FINEST COMMUNICATION TOWERS!"

## HOW TO SELECT THE TOWER BEST SUITED FOR YOU:

### 1. Select the Tower Size Required for Your Beam:

Find the wind load of the antenna in sq. ft. of projected area from your supplier, or calculate it from the following formula:

$$\text{Wind Area (sq. ft.)} = \frac{(\text{Area of all Elements} - \text{Sq. In.}) \times 2/3 \times .707}{144}$$

For stacked beams, an approximation of effective wind area may be calculated as follows:

$$\text{Effective Area} = \text{Area of Lower Beam} + 1.5 \text{ Area of Upper Beam}$$

Each E-Z Way tower is load rated for 50 MPH winds. Use the chart below to select the tower for your antenna load. All towers are designed for 100 mph winds, retracted.

### TOWER WIND LOAD CHART

MODEL NUMBER	Normal Ant. Hgt.		Max. Ant. Load-Sq. Ft. Projected Area		
	Extended Feet	Retracted Feet	Without Guys 50 MPH Winds	With Guys Area Sq. Ft.	With Guys Velocity MPH
HD-40	40	23	6.0	6.0	100
RBS-40	41	25	12.0	12.0	120
RBX-40	42	27	33.5	40.0	125
RBS-50	51	30	12.0	12.0	86
RBX-50	52	32	28.8	40.0	110
RBX-60-3	60	26	11.0	12.0	110
CRX-60-3	60	26	14.0	14.0	110
RBX-70-3	72	31	12.0	12.0	100
RBZ-75-3	75	35	27.7	30.0	110
RBZ-85-3	85	36	25.0	25.0	100
AC-15-4	115	36	16.0	16.0	100

### 2. Select Your Mounting Kit:

Each E-Z Way mounting kit is designed to fit a specific need. The Building Attached Kit (BAK) is recommended for economy when the tower can be mounted adjacent to a building and the tilt-over feature is of secondary importance. The Wonder Ground Post (WGP), the most versatile and easiest to install, is the most popular of all models except those over 60 ft. The concrete mount post (CMP) is a must for the larger towers, but may also be used for smaller models in abnormal soil conditions.

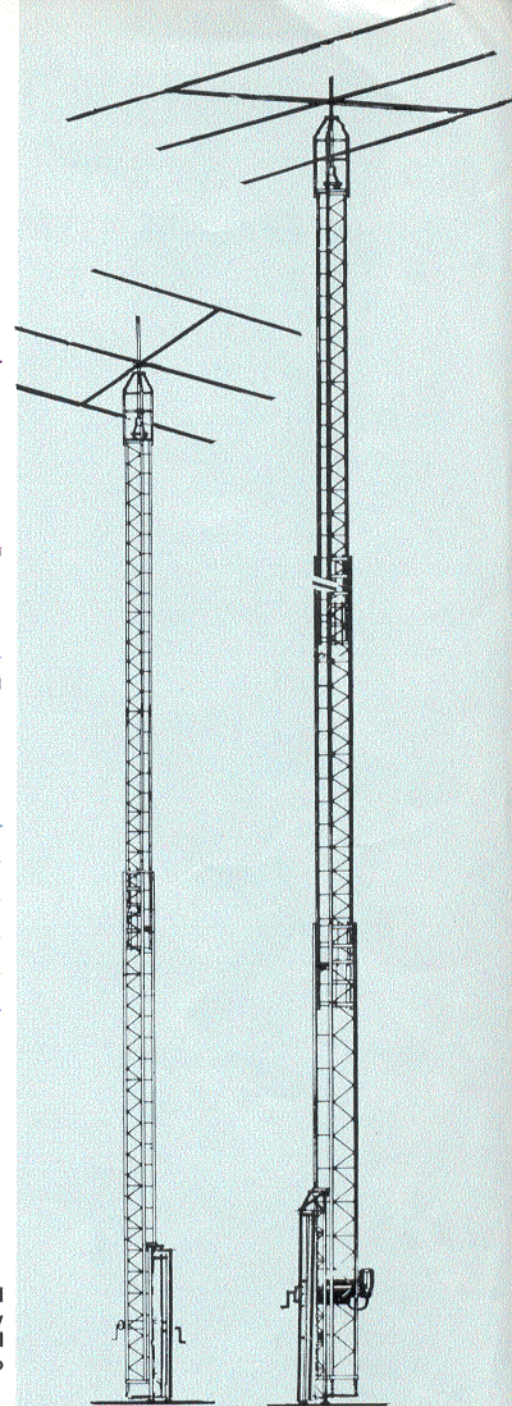
### 3. Selecting the Site:

After the tower and mounting kit have been chosen, the site for erecting the tower should be considered. Conceivably, the closer the shack, the better. But due to the fact that the tower tilts, there must be a clearance path of at least two-thirds of the tower height and also enough space to allow for the antenna. Remember, stay clear of power lines and trees . . . also, signal loss can result from close proximity to metal structures.

### CHECK THESE FEATURES!

- **ALUMINUM PAINTED OR GALVANIZED\*\*** after fabrication. E-Z Way Towers are phosphate pre-treated and completely immersed in a bath of corrosion resistant aluminum paint or molten zinc - outside & inside surfaces are protected against corrosion.
- **AERO-DYNAMIC DESIGN!** Triangular tower, built of cylindrical steel rod and tubing (over 98% of exposed area is round) combine to give greater strength with least wind resistance.
- **NO GUY WIRES** required!
- **Hardware** others call "accessories" are standard with us!
- **WARRANTY — Materials & Workmanship!** (Loading in excess of these specifications is not recommended, and negates applicable warranty.)

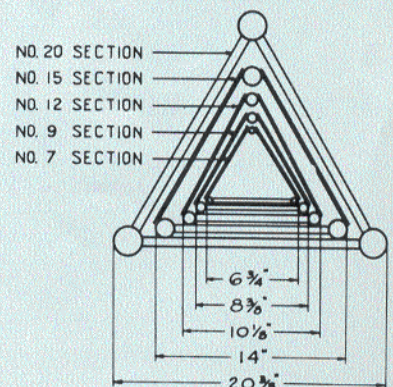
\*\*SEE PRICE SHEET.



2 Section  
Type  
RBS-40

3 Section  
Type  
RBX-60-3

Schematic Diagram of Nested Tower Sections



# MOBILE TOWERS

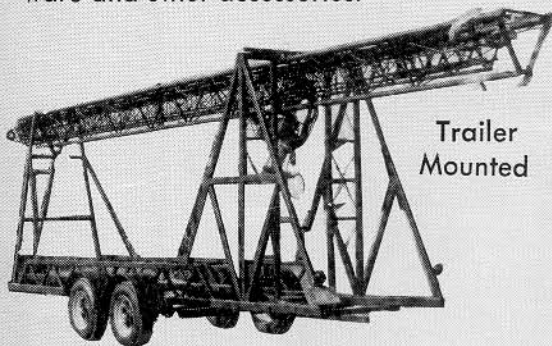
## FOR FIELD STUDIES & PORTABLE COMMUNICATIONS SYSTEMS TRAILER MOUNTS

Designed to accommodate E-Z WAY crank-up, tilt-over towers.

Equipped to customer's specifications: outriggers, stop and turn signals, electric brakes, spare tire and wheel.

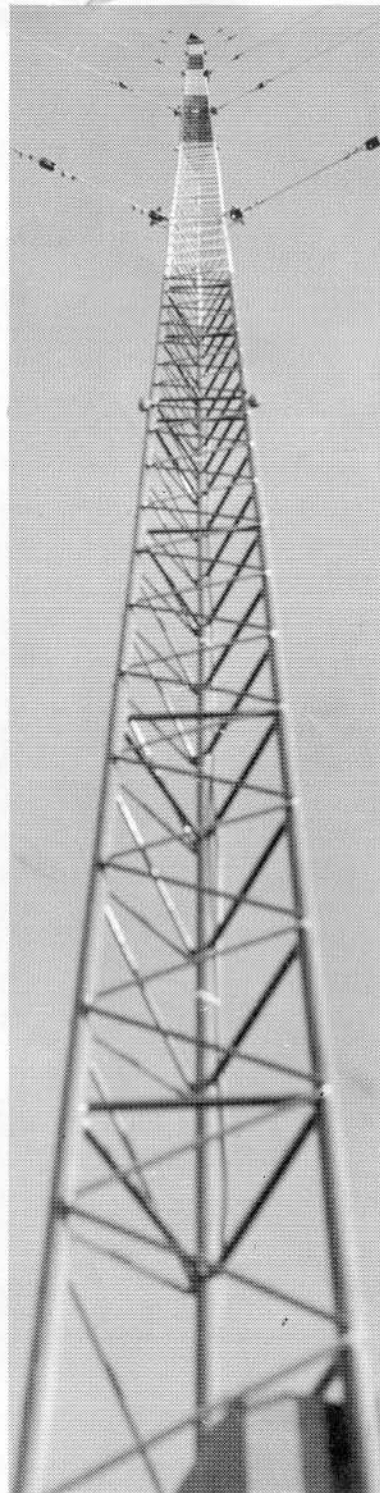
Finished with primer and color painted to customer's choice.

Available with motor winches, guy hardware and other accessories.



Trailer Mounted

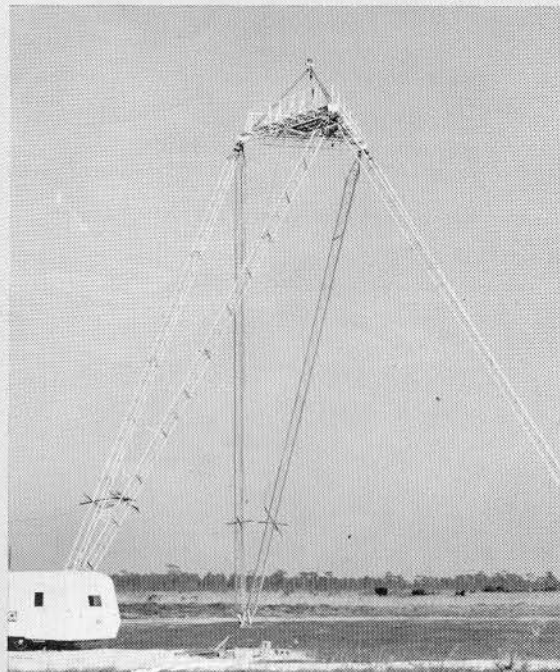
Van Mounted



# SPECIAL PURPOSE TOWERS

20 years experience in design, manufacture and erection of special towers.

Custom engineered to performance specifications or built to customer design.



## COMPLETE TURN-KEY SERVICES

- DESIGN
- FABRICATION
- DELIVERY
- ERECTION
- LIGHTING
- PAINTING
- ANTENNA MOUNTING and ADJUSTMENT



H-74

- Engineering and Design
- Requirements Analysis
- Site Surveys and Evaluation for AM-FM-TV Broadcast, CATV, Microwave, Meteorology and Telemetry fixed or portable installations.

ONE OF THE WESTERN HEMISPHERE'S QUALITY TOWER SYSTEM SUPPLIERS  
CUSTOM COMMUNICATIONS STRUCTURES

"THE PROFESSIONAL AMATEUR'S TOWER"

1 December 1978  
Phone (813) 677-7144

TOWER	PART NO.	WT.	MAX. HT.	MIN. HT.	DESCRIPTION	SUGGESTED AMATEUR NET
HD-40	14790	155	40	23	Tower 2 sections, for small quads, VHF & beams	355.00-x
	53670	25			Rotor Head, 7 ft. mast, bushing	80.00
	85900	8			Building Attachment Kit-house bracket & hinge plate	25.00
	63640	91			Wonder Ground Post for tilt over installation	190.00
	796204				Surface Mount Ground Post, tilt over installation	185.00
RBS-40	14920	177	41	25	Tower 2 sections, for triband beams	455.00-x
	54090	30			Rotor Head, 7 ft. mast, bushing & thrust bearing	95.00
	85200	11			Building Attachment Kit-house bracket & hinge plate	40.00
	64650	150			Wonder Ground Post for tilt over installation	255.00
	726204	160			Surface Mount Ground Post, tilt over installation	240.00
	94250	80			Motor driven winch assembly	955.00
	91000	10			Positive crank down winch	160.00
RBX-40	24250	308	42	27	Tower 2 sections, for large or stacked beams	585.00-xx
	56020	59			Rotor Head, 10 ft. mast, bushing & thrust bearing	150.00
	86500	14			Building Attachment Kit-house bracket & hinge plate	50.00
	66860	303			Wonder Ground Post for tilt over installation	405.00
	758354	170			Surface Mount Ground Post, tilt over installation	380.00
	94251	80			Motor driven winch assembly	965.00
	91001	10			Positive crank down winch	175.00
RBS-50	15920	241	51	30	Tower 2 sections, for triband beams	610.00-x
	54090	30			Rotor Head, 7 ft. mast, bushing & thrust bearing	95.00
	85200	11			Building Attachment Kit-house bracket & hinge plate	40.00
	65860	212			Wonder Ground Post for tilt over installation	316.00
	728304	170			Surface Mount Ground Post tilt over installation	300.00
	95250	80			Motor driven winch assembly	980.00
	96000	12			Positive crank down winch	170.00
RBX-50	25250	371	52	32	Tower 2 sections, for large or stacked beams	725.00-xx
	56020	59			Rotor Head, 10 ft. mast, bushing & thrust bearing	150.00
	86500	14			Building Attachment Kit-house bracket & hinge plate	50.00
	66860	303			Wonder Ground Post for tilt over installation	405.00
	758354	170			Surface Mount Ground Post, tilt over installation	380.00
	95330	80			Motor driven winch assembly	1015.00
	96001	15			Positive crank down winch	180.00
RBS-60	16925	345	60	26	Tower 3 sections, for triband beams	980.00-xx
	54090	30			Rotor Head, 7 ft. mast, bushing & thrust bearing	95.00
	86500	14			Building Attachment Kit-house bracket & hinge plate	50.00
	65861	240			Wonder Ground Post for tilt over installation	340.00
	758304	170			Surface Mount Ground Post, tilt over installation	310.00
	96250	80			Motor driven winch assembly	1000.00
	91001	15			Positive crank down winch	175.00
RBX-60	26253	510	60	26	Tower 3 sections, for large triband beams	1225.00-xxx
	56020	59			Rotor Head, 7 ft. mast, bushing & thrust bearing	150.00
	87300	25			Building Attachment Kit-house bracket & hinge plate	105.00
	66861	440			Wonder Ground Post, tilt over installation	485.00
	758354	170			Surface Mount Ground Post, tilt over installation	460.00
	96330	80			Motor driven winch assembly	1025.00
	96002	15			Positive crank down winch	185.00
RBS-70	27925	480	72	31	Tower 3 sections, for triband beams	1265.00-xxx
	54090	30			Rotor Head, 7 ft. mast, bushing & thrust bearing	95.00
	86500	14			Building Attachment Kit-house bracket & hinge plate	50.00
	758354	170			Surface Mount Ground Post, tilt over installation	380.00
	97330	80			Motor driven winch assembly	1040.00
	96001	15			Positive crank down winch	180.00
	RBZ-75	17253			796	75
56020		59	Rotor Head, 10 ft. mast, bushing & thrust bearing	150.00		
87300		25	Building Attachment Kit-house bracket & hinge plate	105.00		
730404		185	Surface Mount Ground Post, tilt over installation	570.00		
97500		80	Motor driven winch assembly	1175.00		
97001		20	Positive crank down winch	255.00		
RBZ-85		18253	975	85	35	
	56020	59	Rotor Head, 10 ft. mast, bushing & thrust bearing			150.00
	87300	25	Building Attachment Kit-house bracket & hinge plate			105.00
	730408	250	Surface Mount Ground Post, tilt over installation			635.00
	98500	80	Motor driven winch assembly			1195.00
	98001	30	Positive crank down winch			290.00
	AC-15	19253	1200			115
54091		45	Rotor Head, 10 ft. mast, bushing & thrust bearing	150.00		
87300		25	Building Attachment Kit-house bracket & hinge plate	105.00		
732504		300	Surface Mount Ground Post, tilt over installation	910.00		
91575		90	Motor driven winch assembly, w/level wind	1395.00		
90001		35	Positive crank down winch	315.00		
94240					Remote control for motor winch assembly	
94220				Remote control cable	0.90/ft.	

RBX70

Gal 105

BE SURE TO ORDER ROTOR HEAD AND MOUNTING ASSEMBLY FOR EACH TOWER ORDERED  
FREE STANDING TOWER WITH BASE LEG COUPLINGS & ANCHOR BOLTS (NO TILT) ADD:  
-x \$60.00      -xx \$70.00      -xxx \$95.00

\* TOWER ORDERS - ACCESSORY AND REPLACEMENT PARTS - F.O.B. FACTORY - SHIPPED FREIGHT COLLECT  
\*\* GALVANIZED TOWERS & ACCESSORIES AVAILABLE - ADD 0.35/lb. TO ABOVE PAINTED TOWER PRICES  
\*\*\* MINIMUM ORDER \$20.00

W3RJW EZ-Way Tower

